

# DECADES OF DEDICATION TO THE NATION



**BRAD - HYDRAULIC PALLET TRUCKS**

## BRAD - HYDRAULIC PALLET TRUCKS

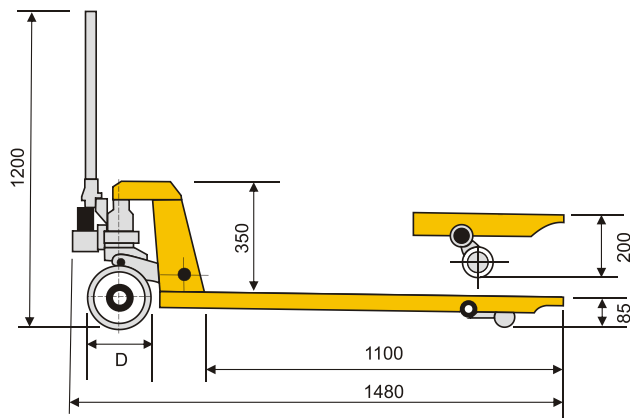
- Excellent Manoeuvrability, rolls easy on sealed ball bearings, in all wheels specially engineered for severe conditions of dirt and dust.
- Hydraulic Ram hard chrome plated to reduce wear and corrosion.
- Light weight control handle with spring back action for pumping & steering.
- Unloading by lifting handle slowly so that Hydraulic Jack can lower.
- Easily replaceable suction cum pressure cartridge insert with built-in filter.
- Articulated axle, fitted with hardened bushes ensures permanent four point ground contact. Balances load on uneven and littered floors prevents frame twisting.
- Top and bottom steering bearings share the load to ensure easy steering wheel rotation.
- Bye pass valve returns oil to tank when maximum height is obtained thereby protecting both the truck and operator.
- Fast effortless lifting.
- All assemblies electrically jig welded for accurate positioning, alignment, stability and easy replacement.
- Leak proof hydraulics with wiper seals fitted on both pump and cylinder plunger to protect from ingress of dirt and dust.
- Brad Pallet Trucks are provided with Nylon wheels which ensures excellent manoeuvrability. These wheels are designed in such a manner that they maintain their own level of uneven ground and can thus smoothly glide in and out of small pot holes and slightly uneven surfaces. The tractive force required is much less than conventional wheels.

### Specifications

Capacity (kg)		2500
Min. fork height (mm)		85
Max. fork height (mm)		200
Steering wheel (mm)		Dia 200 x 50
Load roller (mm)	Single	Dia 80 x 93
	Tandem	Dia 80 x 70
Size of fork (mm)		160 x 60
Width overall forks (mm)		550
Fork length (mm)		1100



Our Engineering Department continuously works on design improvements and hence, we reserve the right of effecting any change without notice.



#### M/s W. H. Brady & Co. Ltd.,

Brady House  
12/14, Veer Nariman Road, Fort,  
MUMBAI - 400 001  
Tel : 022 - 22048361-5 / 22828159  
Fax : 022-22041855  
E-mail : bradymumbai@vsnl.com

#### Branches : New Delhi & Coimbatore

##### NEW DELHI

Ph. : 011 - 23310212 / 23314934 / 23314911  
Fax : 011 -23327231  
E-mail : bradynd@del2.vsnl.net.in

##### COIMBATORE

Ph. : 0422 - 2231024 / 2230736 / 2233324  
Fax : 0422 - 2232776  
E-mail : bradycbe@dataone.in

#### M/s Brady & Morris Engineering Co. Ltd.

Brady House  
12/14 Veer Nariman Road,  
Fort, Mumbai - 400 001  
Tel : 91 -22-22048361-5  
Fax : 91 -22-22041855.  
E-mail : bradymumbai@vsnl.com

#### Sales Offices :

Mumbai, Kolkatta, Chennai & Ahmedabad

##### MUMBAI

Ph. : 022 - 22048361-5 / 22828159  
Fax : 022-22041855  
E-mail : bradymumbai@vsnl.com

##### KOLKATTA

Ph. : 033 - 22272108 / 22272089  
Fax : 033 - 22272098  
E-mail : whbrady\_cal@satyam.net.in

##### CHENNAI

Ph. : 044-24310618  
Fax : 044-24310509  
E-mail : bradychennai@eth.net

##### AHMEDABAD

Ph. : 079 - 25890546 / 25892640  
Fax : 079 - 25890549 / 25893478  
E-mail : bradyahdad1@sancharnet.in  
bradyabd@dataone.in

[www.bradys.in](http://www.bradys.in)

The name that  
**carries weight**  
in more ways than one