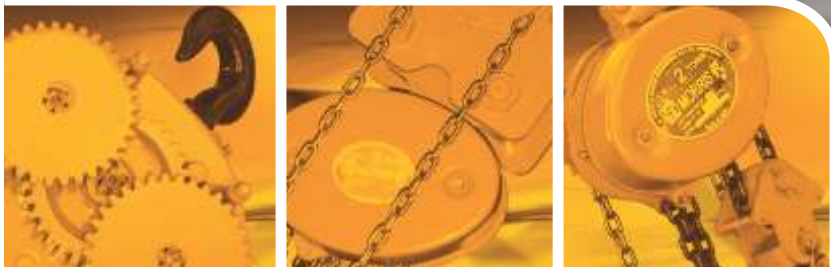


DECADES OF DEDICATION TO THE NATION



MORRIS - TRAVELLING TROLLEY

'MORRIS' Travelling Trolleys have low headroom and are designed & manufactured for efficient transportation of loads

FRAME : Made from MS Rolled Steel Plates.

TROLLEY ADJUSTMENT : Side plates can be easily adjusted for different beam sizes by re-locating the spacers.

WHEELS : Made from Cast Iron FG 200/220 to IS: 210. Deep & wide flanges prevent the wheels from climbing the track. Each wheel is mounted on two anti friction ball bearings for smooth, easy rolling and better stability.

OTHER FEATURES : Trolleys can negotiate small radius of curvature & this feature makes it possible to install trolley for efficient transportation of loads in areas of limited space.

One year guarantee from the date of installation (or) 18 months from the date of supply, whichever is earlier.



M/s Brady & Morris Engineering Co. Ltd.

Brady House
12/14 Veer Nariman Road,
Fort, Mumbai - 400 001
Tel: 91-22-22048361-5
Fax: 91-22-22041855
E-mail : bradymum@bradys.in

Sales Offices :

Mumbai, Kolkatta, Chennai & Ahmedabad

MUMBAI

Ph. : 022-22048361-5 / 22828159
Fax:022-22041855
E-mail : bradymum@bradys.in

KOLKATTA

Ph. : 033-22272108 / 22272089
Fax : 033-22272098
E-mail : bradykol@bradys.in

CHENNAI

Ph. : 044-24310618 Fax:044-24310509
E-mail : bradychennai@bradys.in

AHMEDABAD

Ph. : 079-25890546 / 25892640
Fax : 079-25890549 / 25893478
E-mail : salesahm@bradys.in

M/s W. H. Brady & Co. Ltd.

Brady House
12/14, Veer Nariman Road, Fort,
Mumbai - 400 001
Tel : 022-22048361-5 / 22828159
Fax:022-22041855
E-mail : salesmum@bradys.in

Branches :

New Delhi & Coimbatore

NEW DELHI

Ph. : 011-23310212 / 23314934 / 23314911
Fax: 011-23327231
E-mail : bradydel@bradys.in

COIMBATORE

Ph. : 0422-2230736 / 2233324 / 2236298
Fax : 0422-2232776
E-mail : bradycbe@bradys.in

WORKS

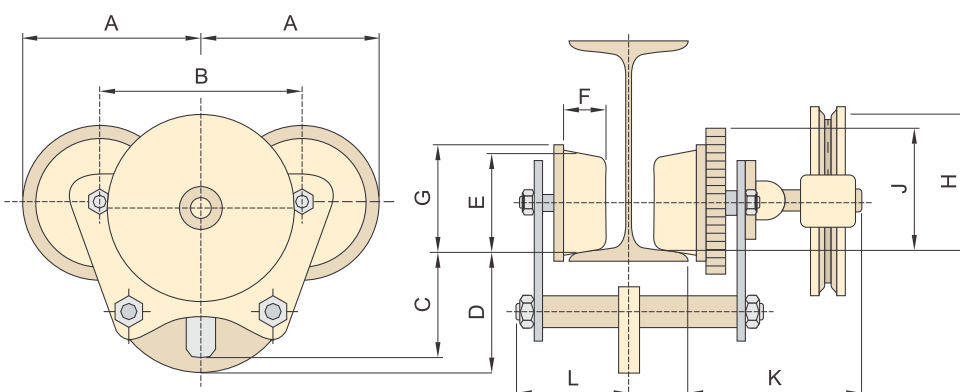
Ph. : 079-25890546 / 25830987
Fax : 079-25890549 / 25893478
E-mail : bmeworks@bradys.in

www.bradys.in

Capacity (Safe Working load)	Tonnes	1.0	2.0	3.0	5.0	7.5	10.0
Test load	Tonnes	1.50	3.00	4.50	7.50	11.25	15.00
Track Width	Range-I	mm	75-125	80-140	80-150	100-150	140-210
	Range-II	mm	140-180	150-210	180-210	180-210	--
Minimum clear depth of track	mm	125	150	150	200	300	300
Minimum radius of track curve	m	1.5	2.0	2.0	2.5	3.5	3.5
Major Dimensions	C	mm	104	130	135	155	233
	D	mm	124	160	165	190	335
	E	mm	63	100	100	120	180
	F	mm	27	29	29	40	49
	L Range-I	mm	107	120	137	166	190
	L Range-II	mm	134	155	167	196	--
Geared Trolley	A	mm	125	181	181	207	280
	B	mm	136	201	201	234	308
	H	mm	114	133	133	161	363
	J	mm	89	130	130	150	216
	K	mm	140	160	160	197	235
Ungearred Trolley	A	mm	118	164	164	192	530
	B	mm	136	201	201	234	308
Weight (approx) for 3m clear lift	kg	23	37	42	81	214	220
Effort on hand chain to raise SWL	kg	9	14	16	26	34	36
Displacement achieved by 30M of hand chain	m	4.4	7.8	6.2	6.8	6.7	6.0

Our Engineering Department continuously works on design improvements and hence, we reserve the right of effecting any change without notice.

GEARED TRAVELLING TROLLEY



The name that
carries weight
in more ways than one